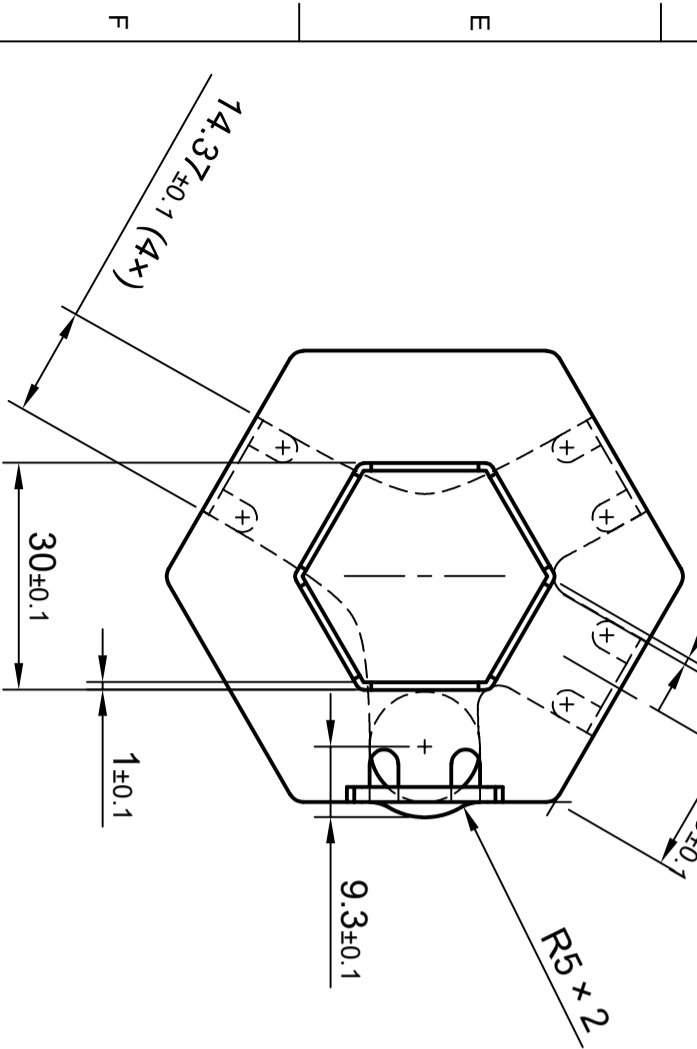


A-A (1:1)



1	2	3	4	5	6	7	8
Dept.		Technical reference		Created by		Approved by	
		Gaizka Haring 27-3-2022		Document type		Document status	
		Title		DWG No.		Rev.	
		Blokje 1 GraviTrax				Date of issue	
						Sheet	
						1/1	