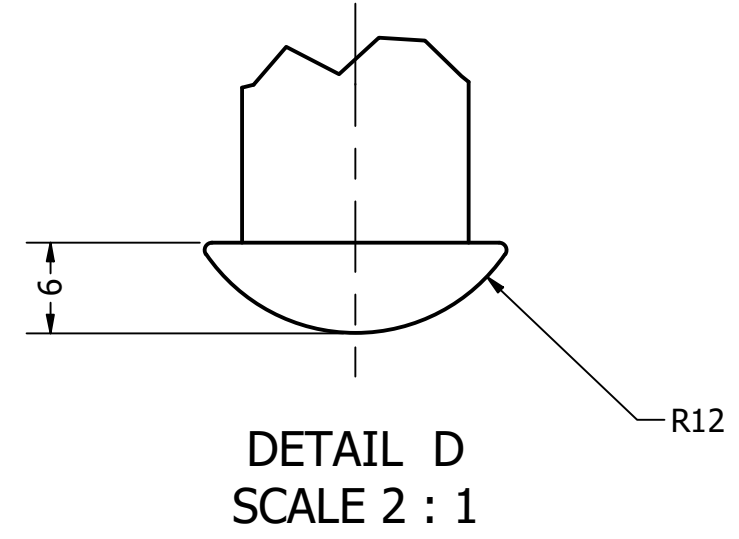
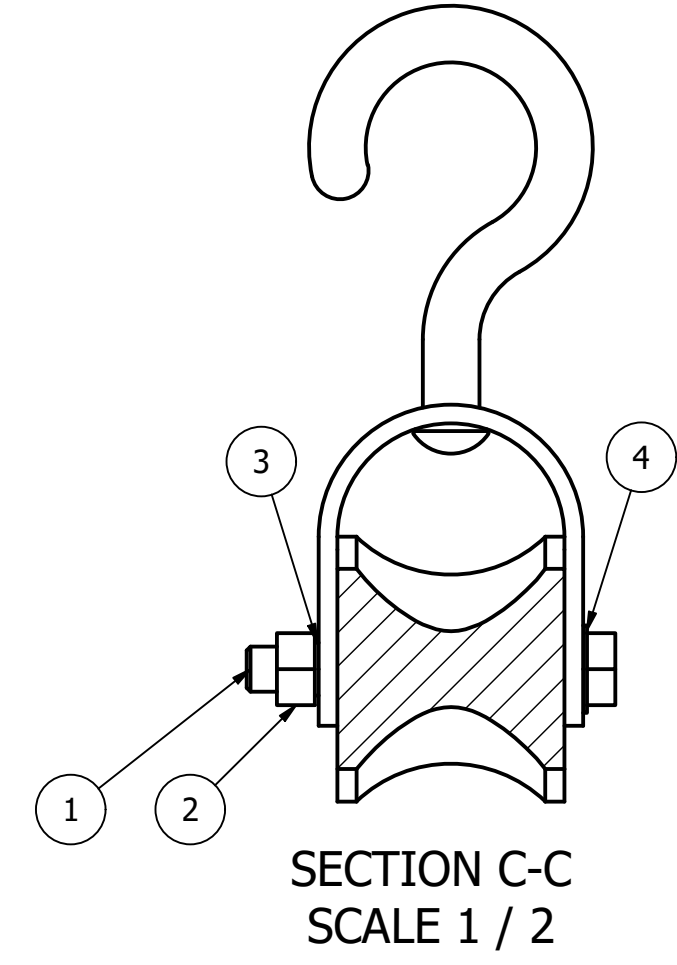
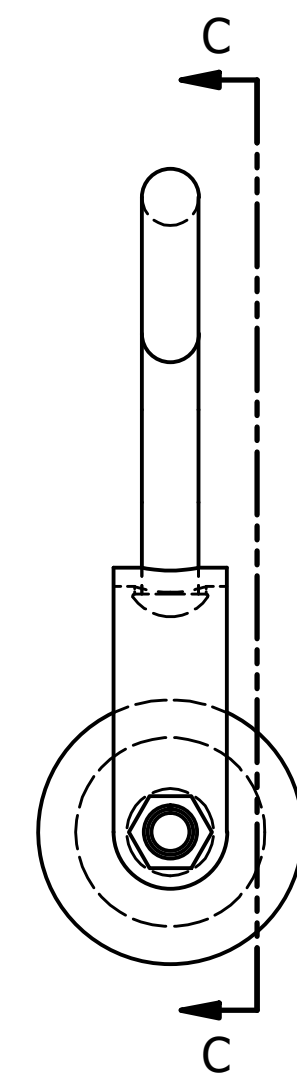
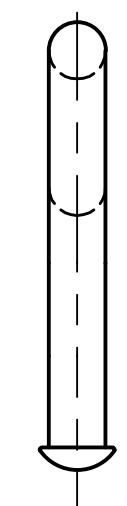
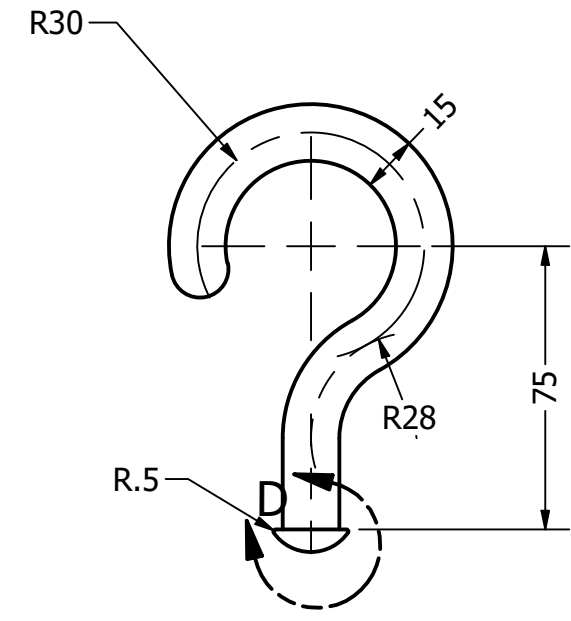
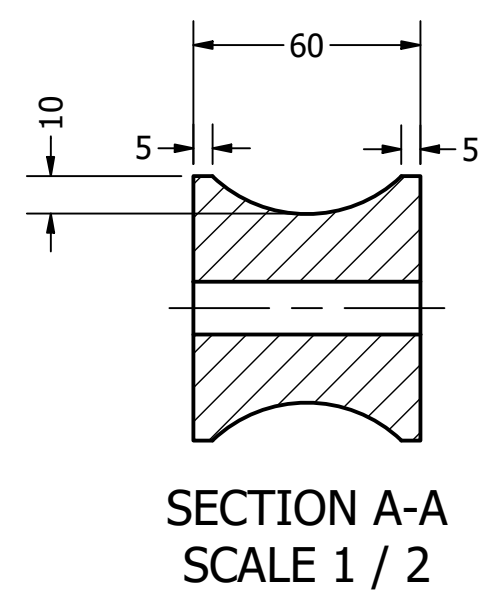
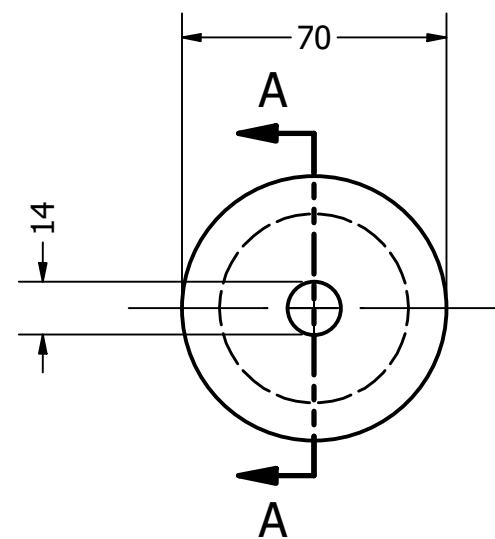
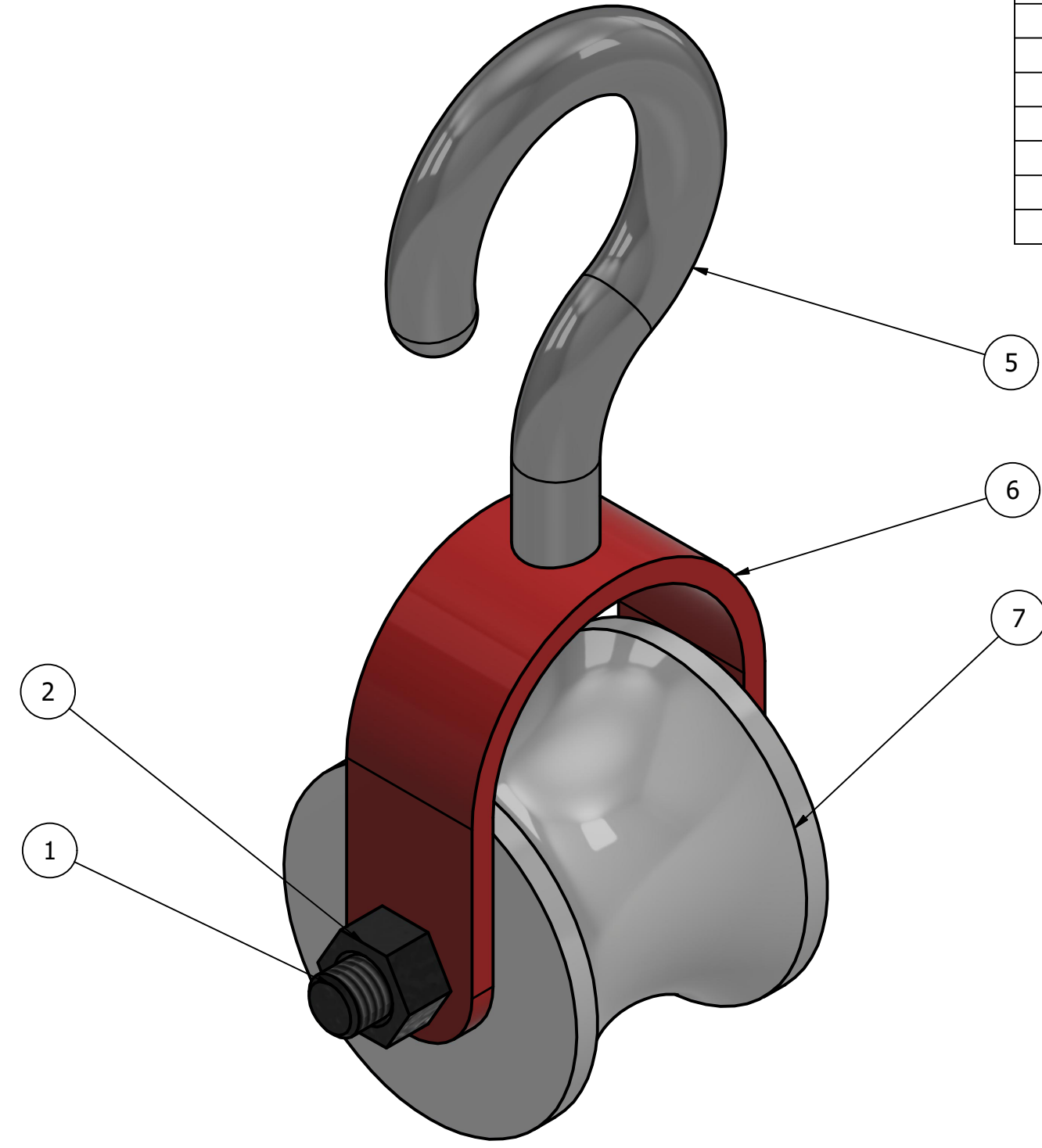
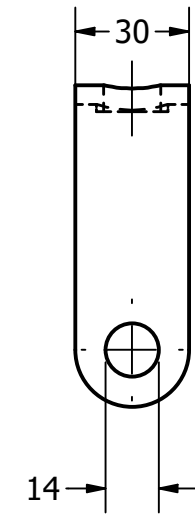
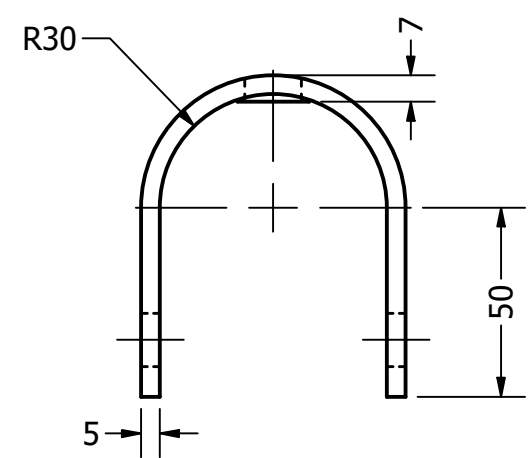
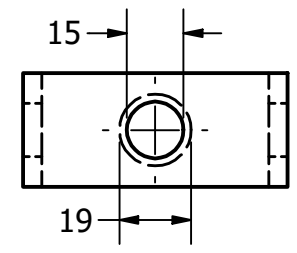


PARTS LIST			
ITEM	QTY	PART NUMBER	DESCRIPTION
1	1	M12 × 90mm bout	
2	1	M12 moer	
3	1	M12 spring washer	
4	1	M12 washer	
5	1	Hij's geleider haak	
6	1	Beugel geleider	
7	1	Geleider haak	

NOTES:
1. PART TO BE POWDER COATED



DRAWN Scorpius Gaizka	14-9-2021		
CHECKED		TITLE	
QA			
MFG			
APPROVED			
		SIZE C	DWG NO Werktekening Hij's geleider
		SCALE 1 / 2	REV
		SHEET 2 OF 2	