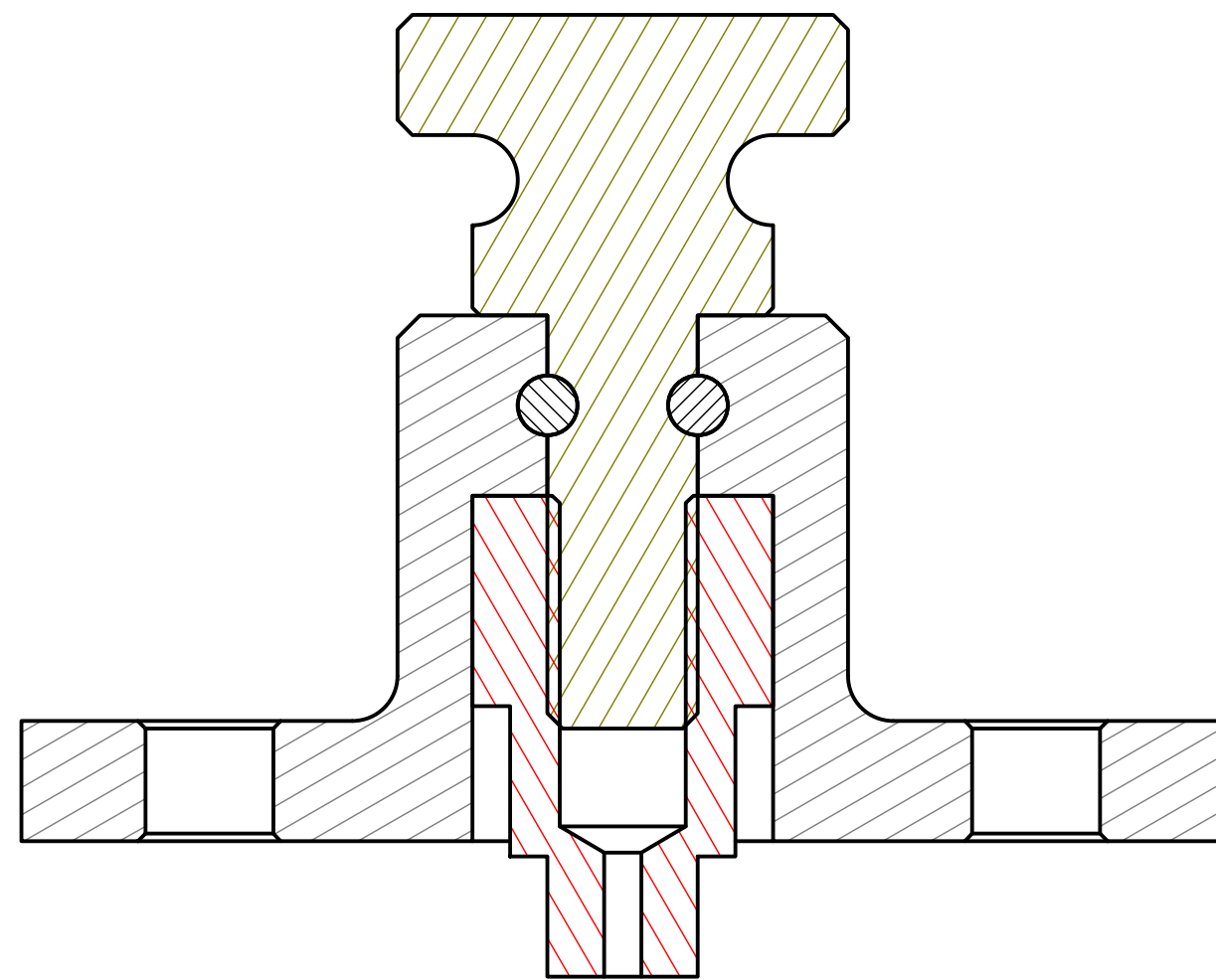
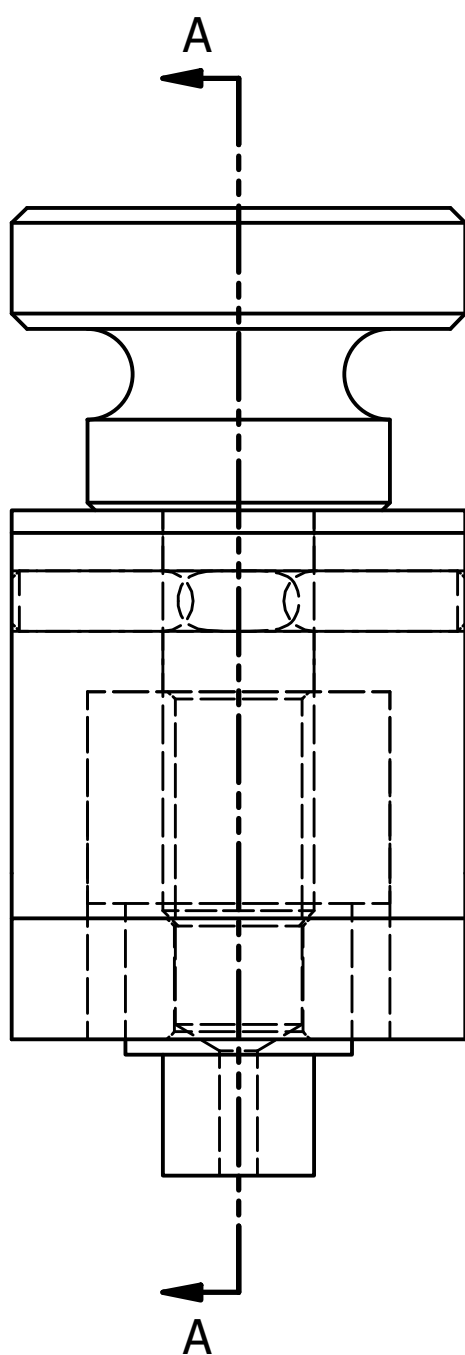
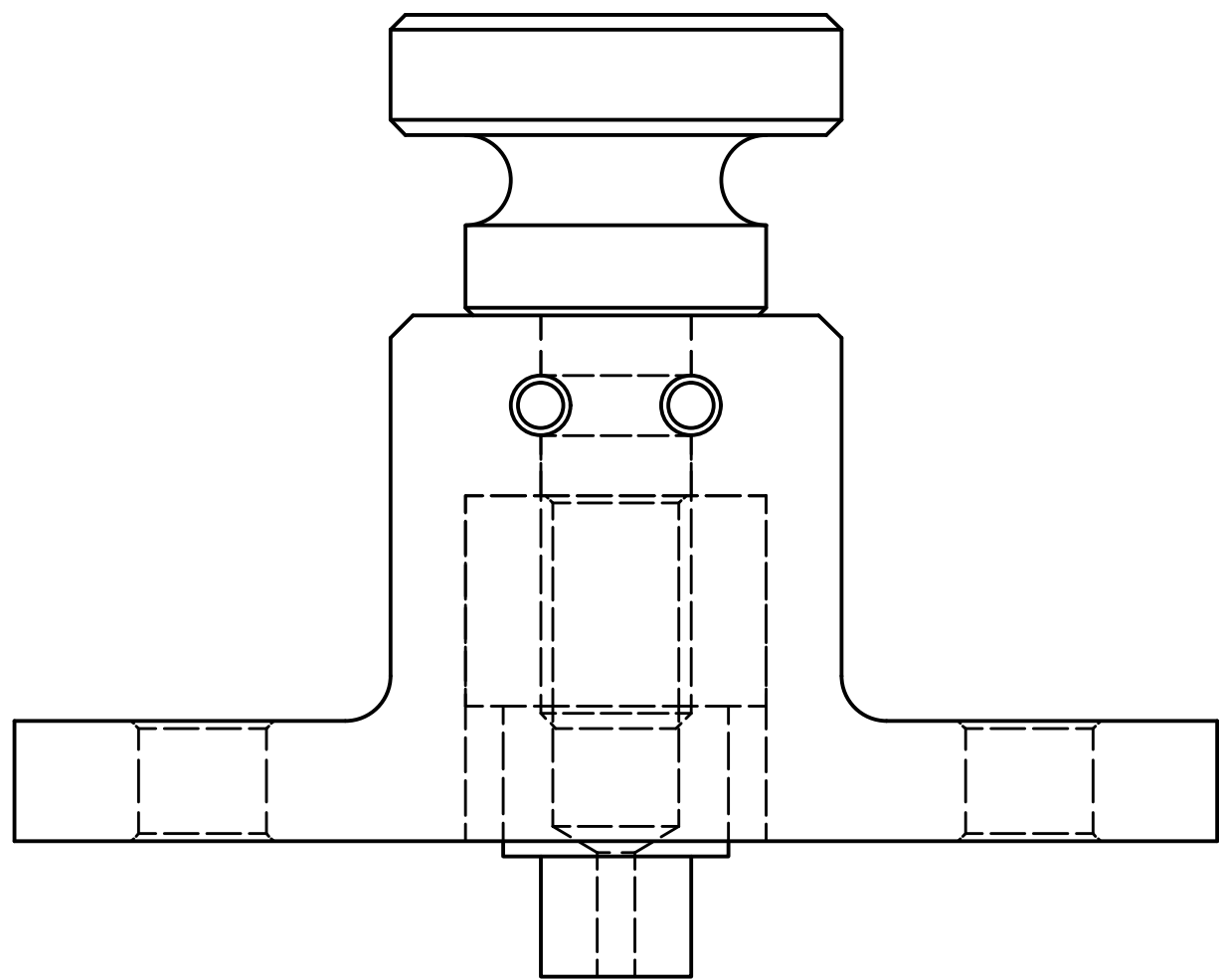
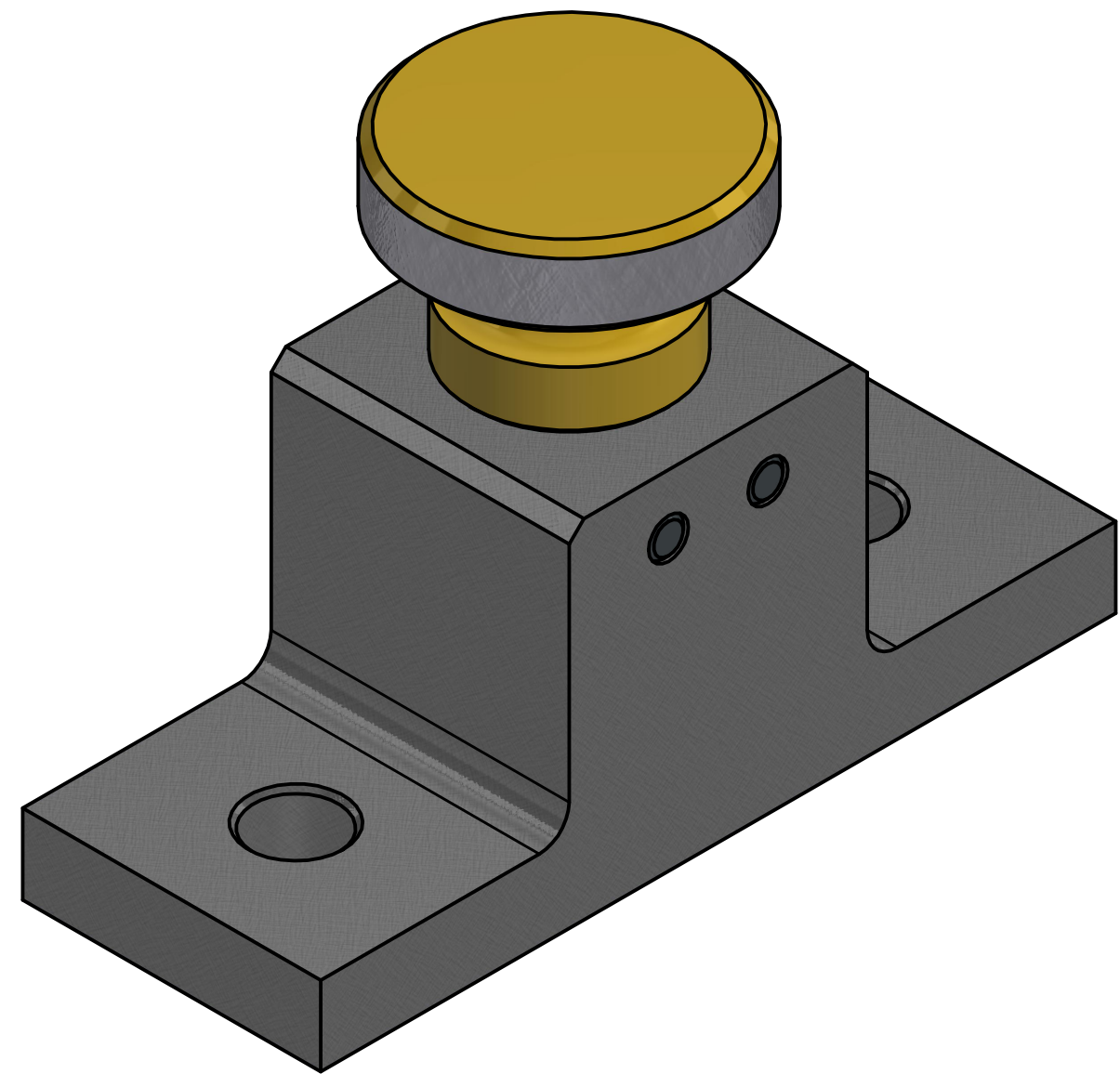
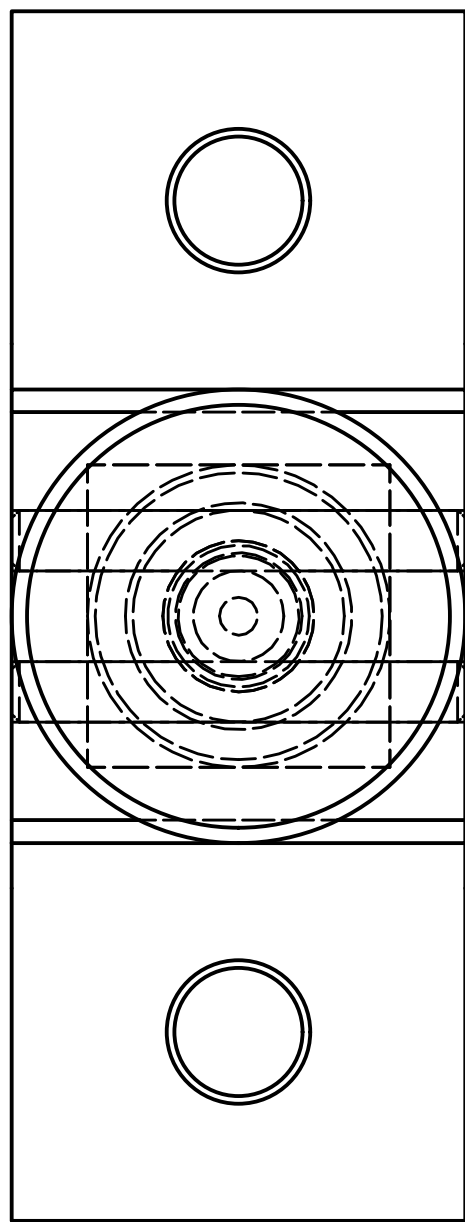


NOTES:
1. PART TO BE POWDER COATED



DRAWN Scorpius Gaizka	19-6-2021	SECTION A-A		
CHECKED		SCALE 2 : 1		
QA		TITLE		
MFG				
APPROVED		SIZE	DWG NO	REV
		C	Samenstelling Fixeerblok werktekening	
		SCALE	2 : 1	SHEET 2 OF 2