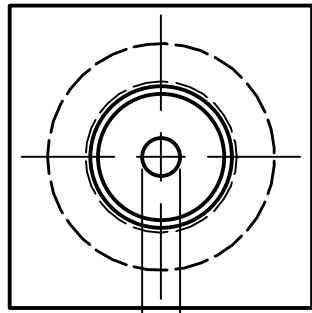
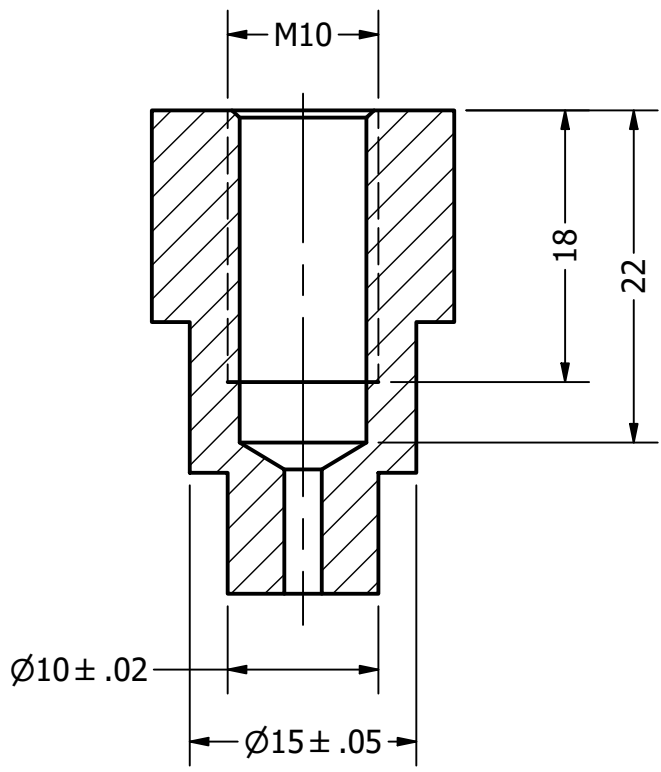
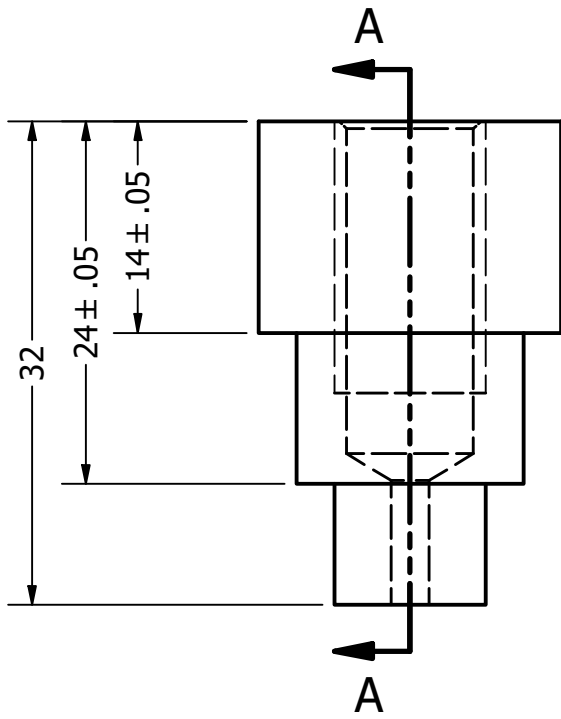
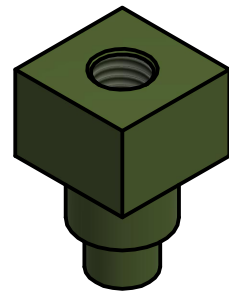


20 $\begin{matrix} +.01 \\ -.03 \end{matrix}$



$\varnothing 2.5$



SECTION A-A
SCALE 2 : 1

$\sqrt{Ra\ 3,2}$

DRAWN	Scorpius Gaizka	19-6-2021	TITLE		
CHECKED					
QA					
MFG					
APPROVED					
		SIZE	DWG NO	REV	
		A	Fixeergeleider werktekening		
		SCALE	2 : 1	SHEET 2 OF 2	