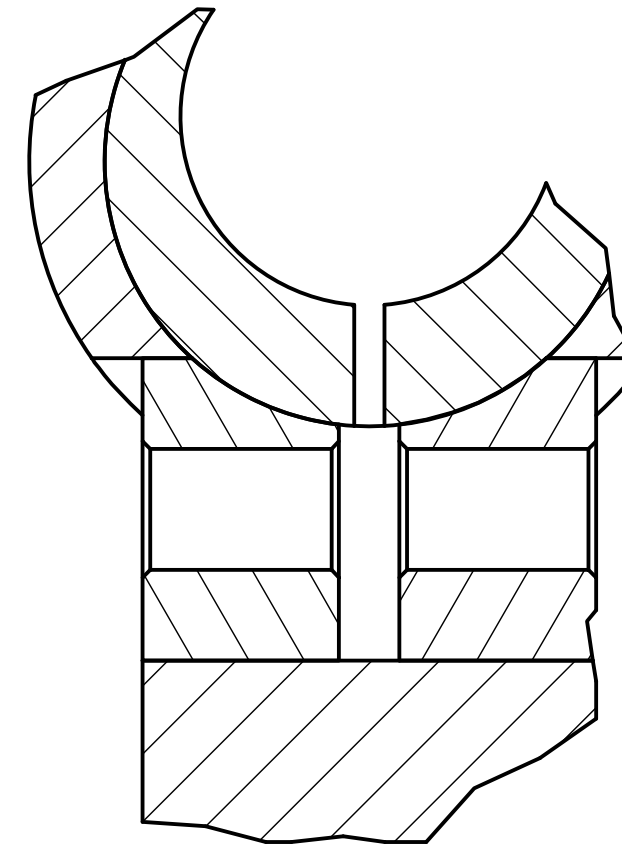
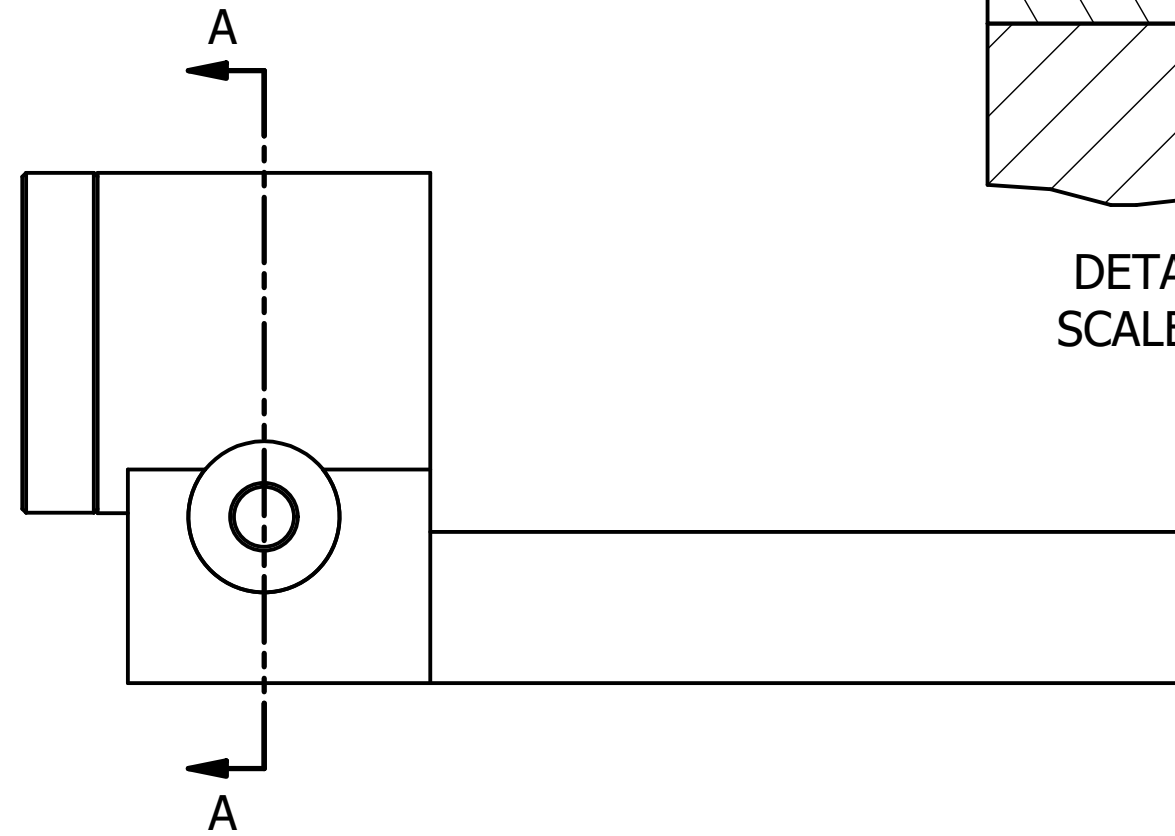
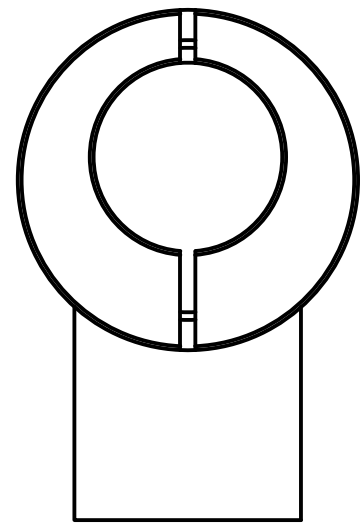
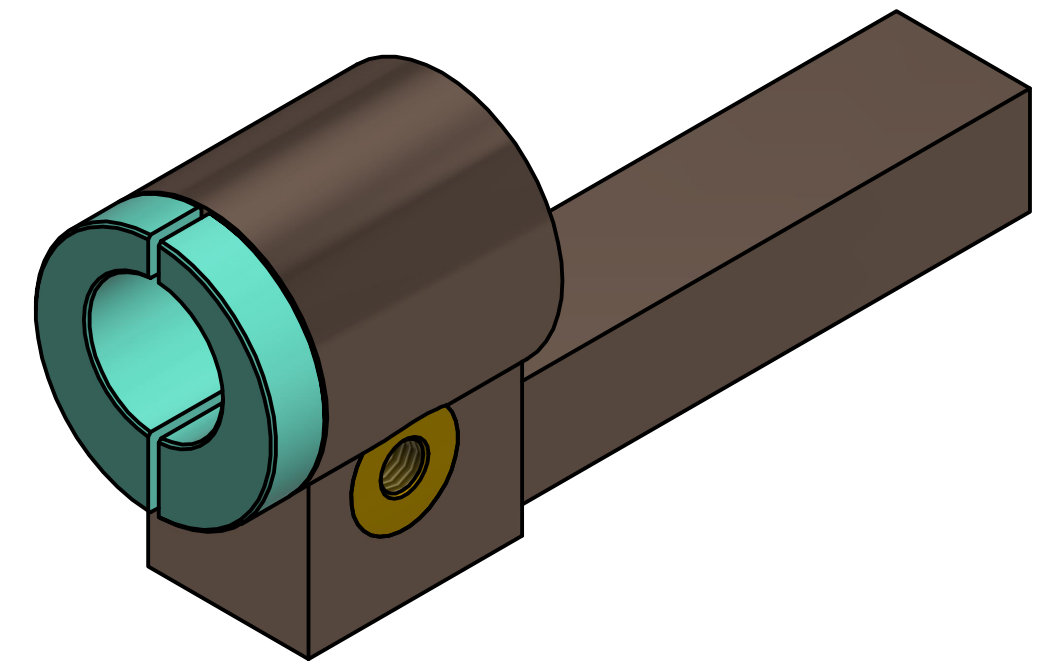
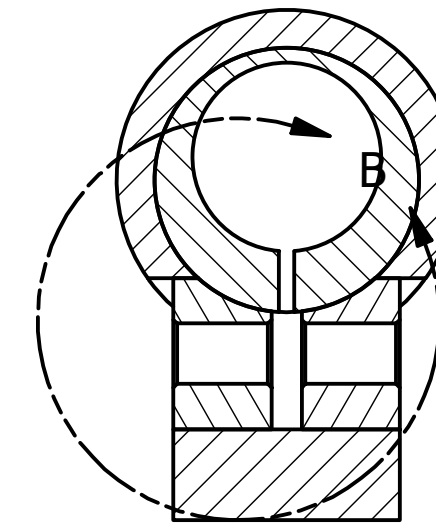


NOTES:
 1. PART TO BE POWDER COATED



DETAIL B
 SCALE 2 : 1



SECTION A-A
 SCALE 1 : 1

DRAWN Scorpius Gaizka	15-4-2021			
CHECKED		TITLE		
QA				
MFG				
APPROVED				
		SIZE C	DWG NO Samenstelling opdracht 10	REV werktekenin
		SCALE 1 : 1	SHEET 2 OF 2	