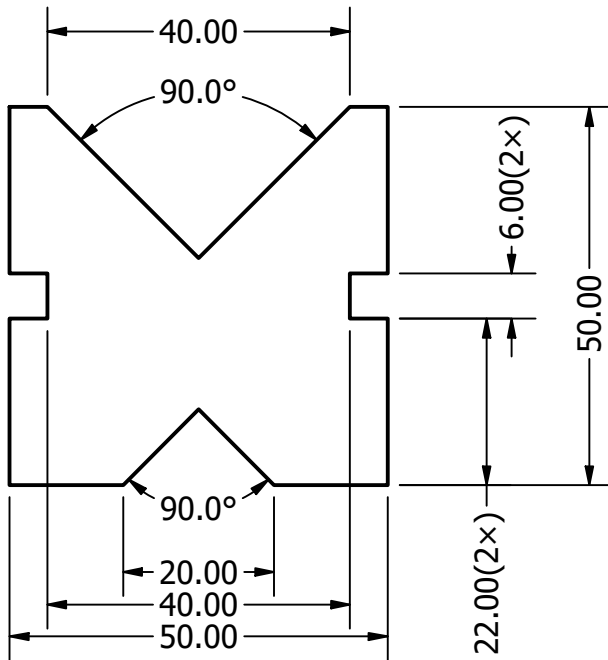
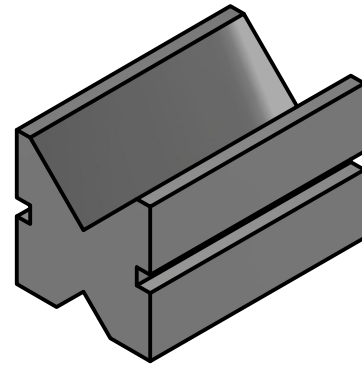
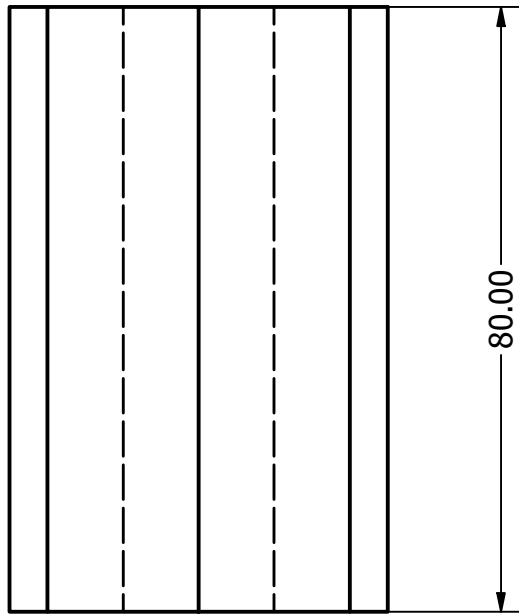


2

1



$\sqrt{Ra\ 3,2}$

B

B



A

A

| | | | |
|--------------------------|-----------|-------|--|
| DRAWN Scorpius Gaizka | 18-3-2021 | | |
| CHECKED | | TITLE | |
| QA | | | |
| MFG | | | |
| APPROVED | | | |

| | | |
|------------------|---|-----|
| SIZE A | DWG NO opdracht 7a werktekening | REV |
| SCALE 1 : 1 | SHEET 2 OF 2 | |

2

1

