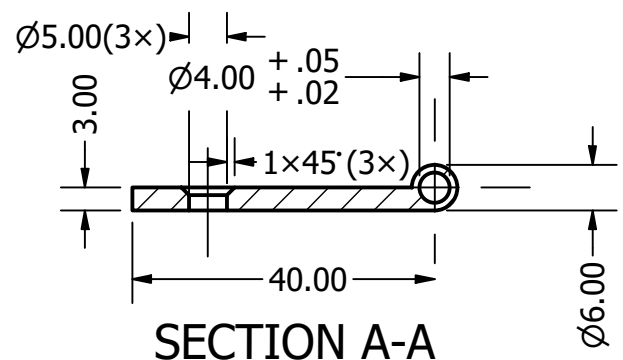
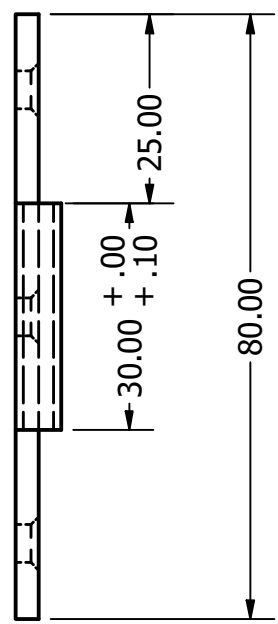
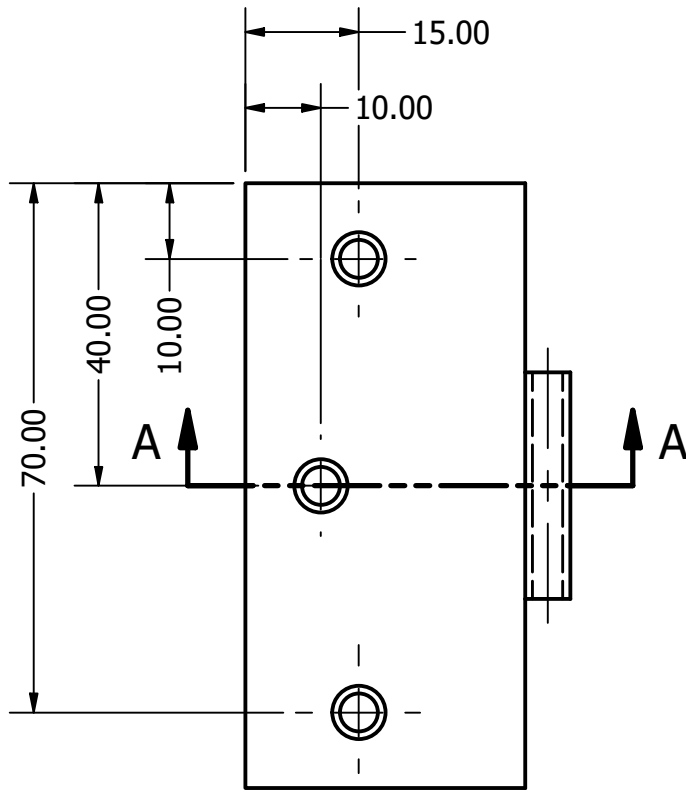


2

1



SECTION A-A
SCALE 1 : 1

| | | | | | | |
|---|----------|-----------------|--------------|------------------------------------|--|-----|
| A | DRAWN | Scorpius Gaizka | 25-2-2021 | TITLE | | |
| | CHECKED | | | | | |
| | QA | | | | | |
| | MFG | | | | | |
| | APPROVED | | | | | |
| | SIZE | A | DWG NO | opdracht 6 schanier 2 werktekening | | REV |
| | SCALE | 1 : 1 | SHEET 2 OF 2 | | | |

2

1