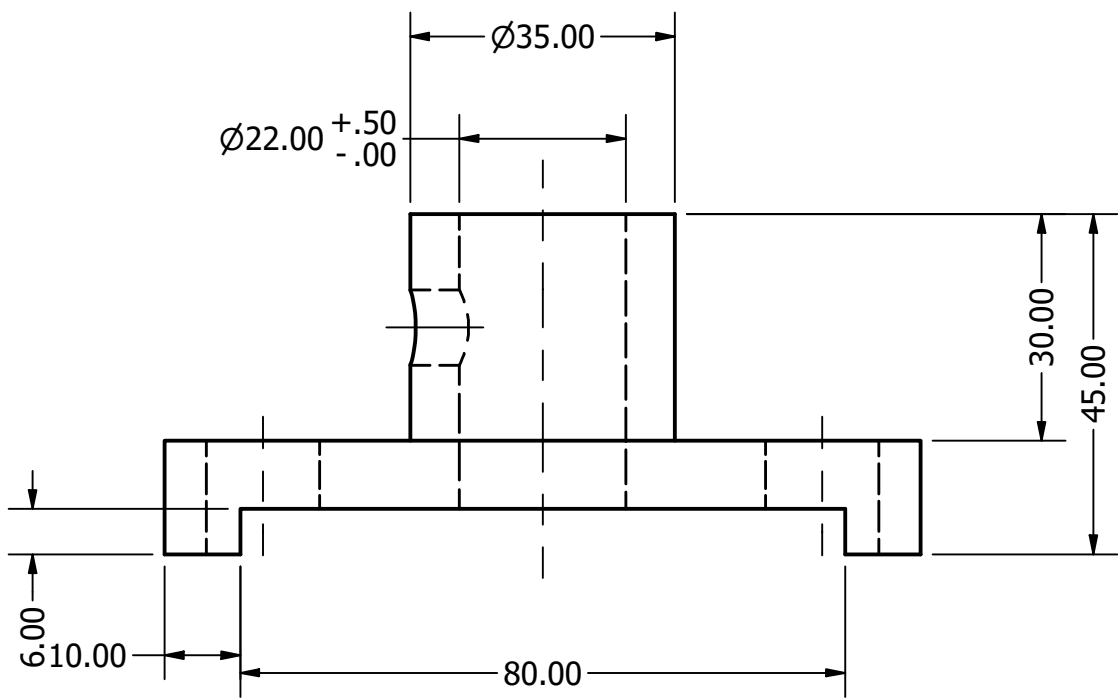
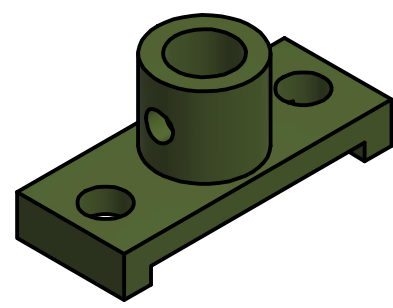
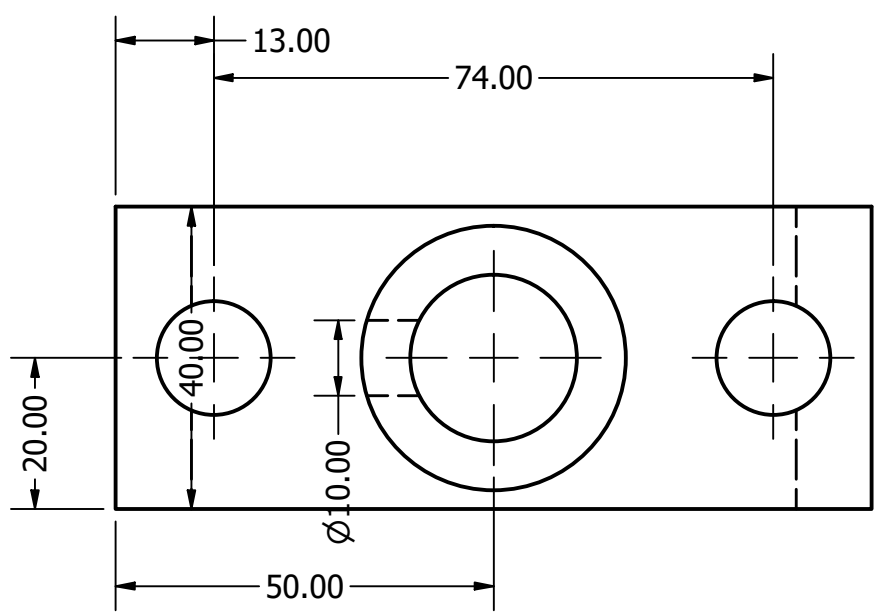


2

1



B

B

A

A

A

A

DRAWN	Scorpius Gaizka	9-2-2021	TITLE			
CHECKED						
QA						
MFG						
APPROVED						
		SIZE	A	DWG NO	Opdracht 5 D werktekening	REV
		SCALE	1 : 1	SHEET 2 OF 2		

2

1