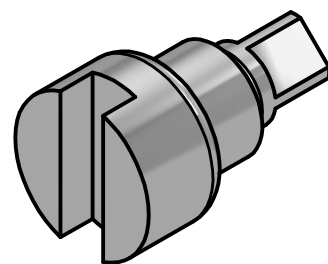


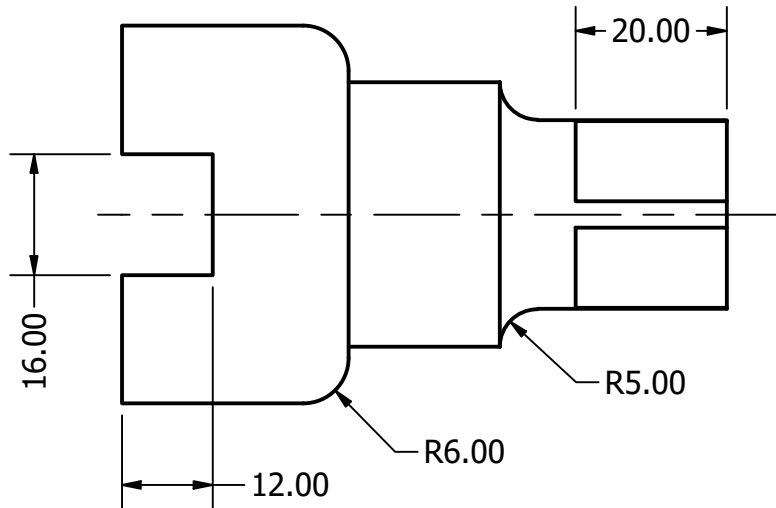
2

1



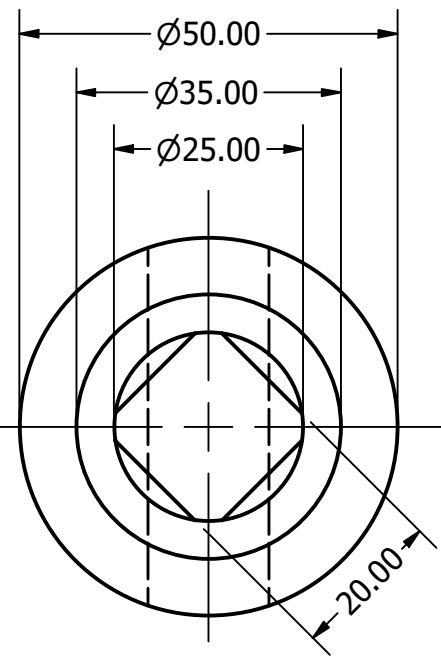
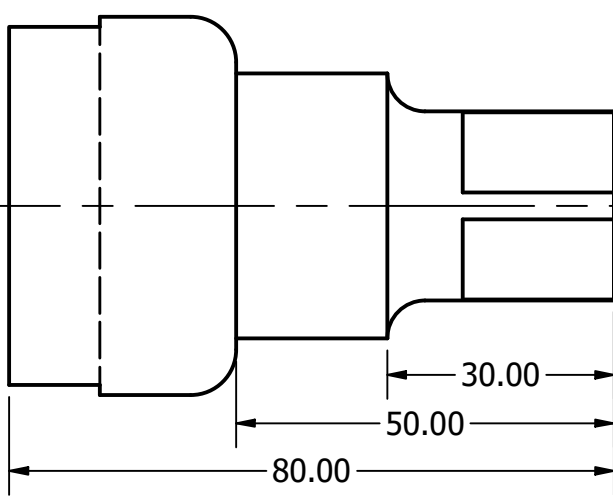
B

B



A

A



A

A

DRAWN	Scorpius Gaizka	9-2-2021	TITLE		
CHECKED					
QA					
MFG					
APPROVED			SIZE	DWG NO	REV
			A	Opdracht 5 C werktekening	
			SCALE	1 : 1	SHEET 2 OF 2

2

1