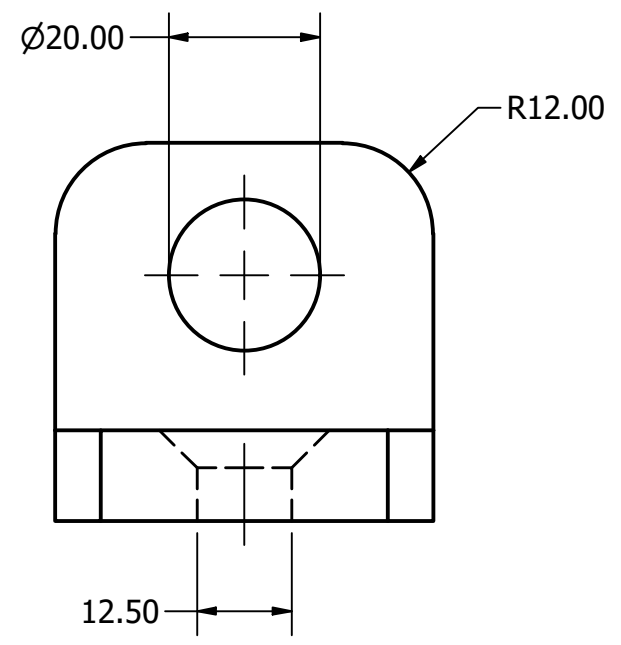
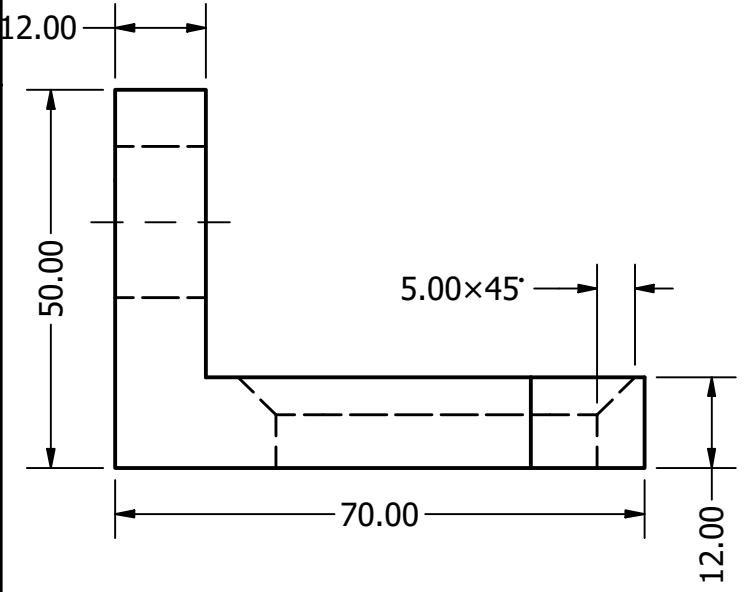
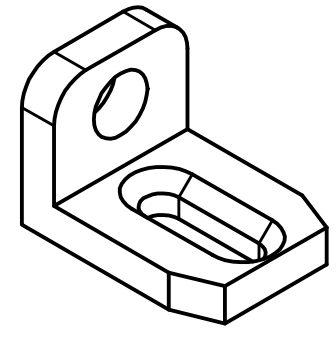
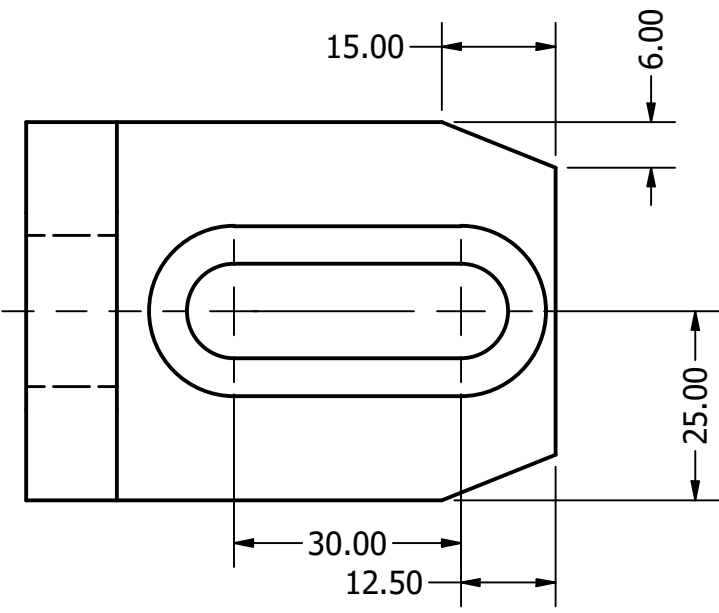


2

1

B

B



A

A

DRAWN	Scorpius Gaizka	9-2-2021	TITLE				
CHECKED							
QA							
MFG							
APPROVED							
		SIZE	A	DWG NO	opdracht 5 a werktekening	REV	
		SCALE	1 : 1	SHEET 2 OF 2			

2

1

